

Find us on



Microscope Masterclass

MLX Plus



- Parfocal and centered SP Achromat optics
- Choice of halogen, LED illumination & battery backup
- Optics with multi-layer coating
- Easy access for lamp replacement from front side



MAGNUS

www.magnusopto.com

Key Features



Compact design, easy to store and carry



Easy Access for Halogen Lamp Replacement

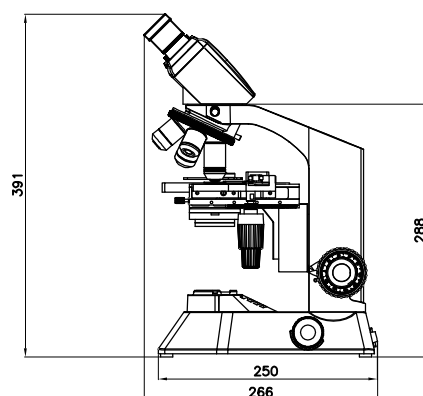
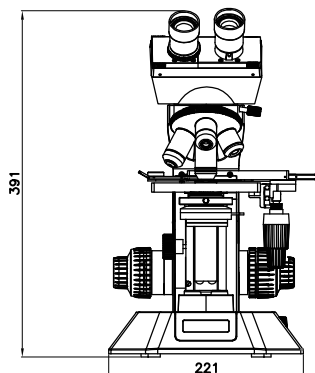
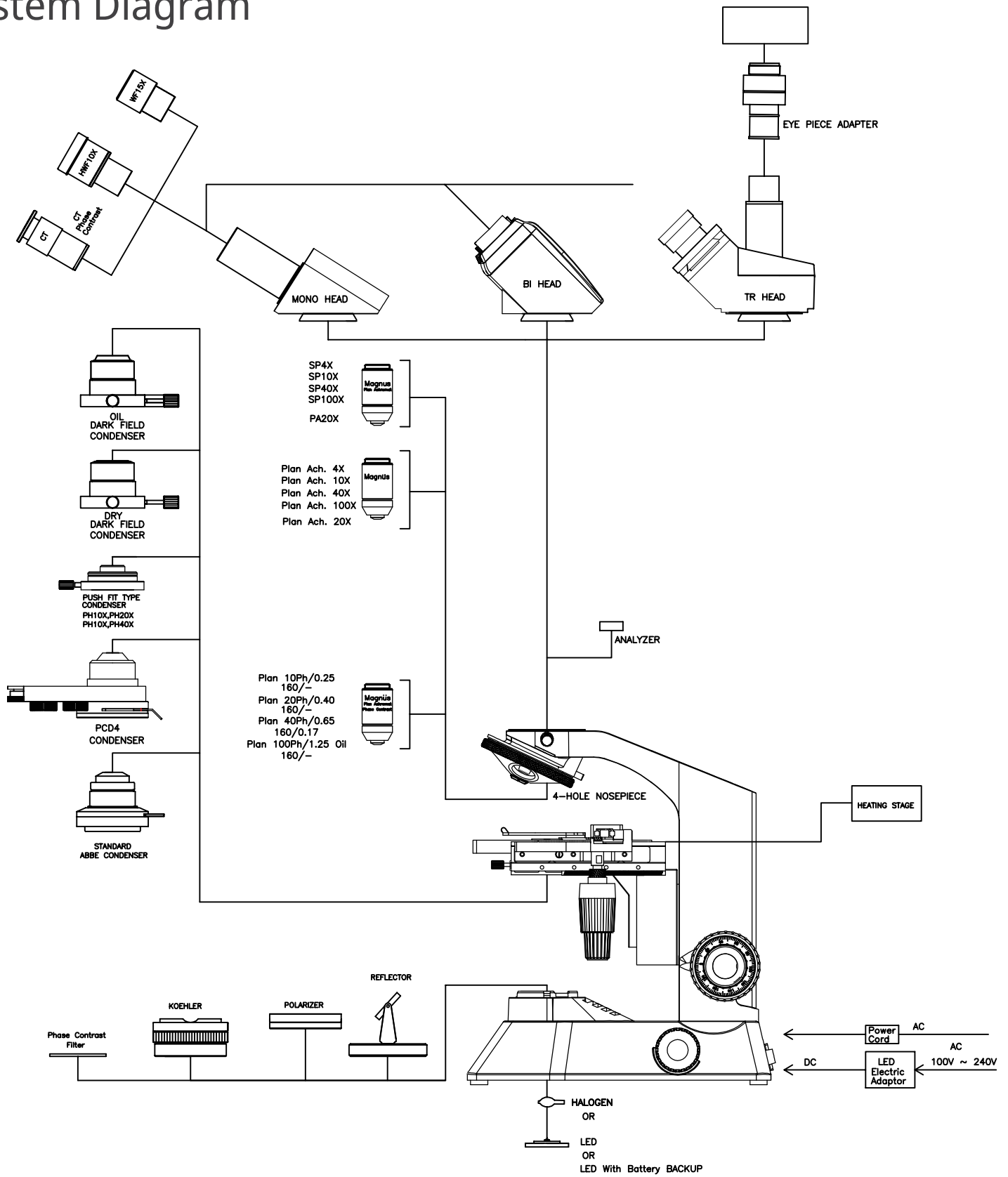


Phase Contrast Attachment (optional)



Trinocular version can be upgraded with Digital Camera (optionally available)

System Diagram



ALL DIMENSIONS ARE IN MM

Magnus Biological Educational Microscope Model MLX Plus

Item	Specifications	MLX Plus Binocular (SP)	MLX Plus Trinocular (SP)							
Optical System	Finite optical system	✓	✓							
Body	Alluminium Die-cast body based on bearing and wire guides thereby ensuring smooth and precise manipulation	✓	✓							
Inclined Observation Head	Binocular 45 degree inclined, 360 degrees rotatable	✓	✓							
	Trinocular 45 degree inclined, 360 degrees rotatable	✓	✓							
Eyepiece (widefield) For Observation	HWF 10x (FN 18mm) paired eyepiece. The unique design of the compensating eyepiece provides relief from eye fatigue and renders color-compensated wide-field images of utmost clarity	✓	✓							
Nosepiece	Quadruple revolving nosepiece based on precision ball-bearing mechanism with positive click stop	✓	✓							
Objectives	Semi-Plan Achromat Objectives	✓	✓							
	<table border="0"> <tr> <td></td> <td>N.A</td> </tr> <tr> <td>4x</td> <td>0.10</td> </tr> <tr> <td>10x</td> <td>0.25</td> </tr> <tr> <td>40x (spring loaded)</td> <td>0.65</td> </tr> <tr> <td>100x (oil, spring loaded)</td> <td>1.25</td> </tr> </table>				N.A	4x	0.10	10x	0.25	40x (spring loaded)
	N.A									
4x	0.10									
10x	0.25									
40x (spring loaded)	0.65									
100x (oil, spring loaded)	1.25									
	Uniformly centered, interchangeable & parfocal Anti-fungus treated Tropicalized anti fungus treatment ensures image excellence for long periods in condition favouring to fungus growth									
Mechanical Stage	Co-axial low drive mechanical stage (125mm x 145mm) (+-5mm) with trasverse area of 30mm x 76mm (+-5mm) with single slide holder	✓	✓							
Condenser Holder	Pre-centered abbe condenser with aperture iris diaphragm (N.A. 125) focusable with rack & pinion through 10mm & a continuously variable iris diaphragm with a removable blue filter for daylight observation	✓	✓							
Focusing System	Co-axial coarse and fine controls with a focus adjustment and fine adjustment knobs. Coarse focus range 20mm. Fine focus rotation 0.2mm	✓	✓							
Eyepiece (wide field) for Observation	(a) Built in illumination base with pre-centered 6V 20W halogen halogen light coupled with an efficient collector lens system. Power supply 230V AC 50Hz	✓	✓							
	(b) 3W LED light source high brightness, longlife (30,000 hrs)	MLX-Plus-LED (SP)	MLX-Plus-LED (SP)							
	(c) 1 W LED light source High brightness, longlife (30,000 hrs). Battery back-up in built NiMH Rechargeable batteries	MLX-Plus Freedom (SP)	MLX-Plus Freedom (SP)							

- Packed in a corrugated box, with operational manual, dust cover, power cord & immersion oil (5ml)
- The reflector mirror, spare bulb & wooden cabinet are optionally available
- For export market MLX Plus series is known as Theia-fi series



ISO 9001: 2015
Certified Company

Works: A-3, Sector-81, Phase II, Noida-201305, Uttar Pradesh, India
Corporate Office: A-5, Mohan Co-operative Indl Estate, Mathura Road, New Delhi - 110044 India
Phone: +91-9717710061 | Email : info@magnusopto.com | Website: www.magnusopto.com



ISO 13845: 2016
Certified Company